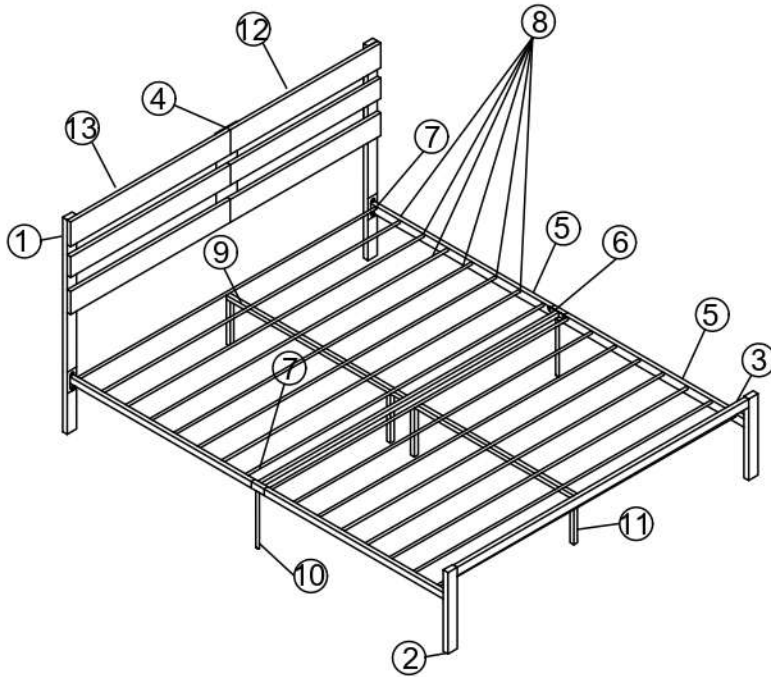













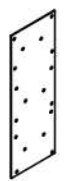


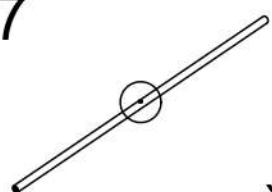
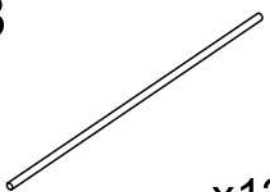



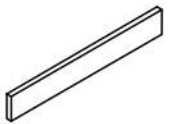


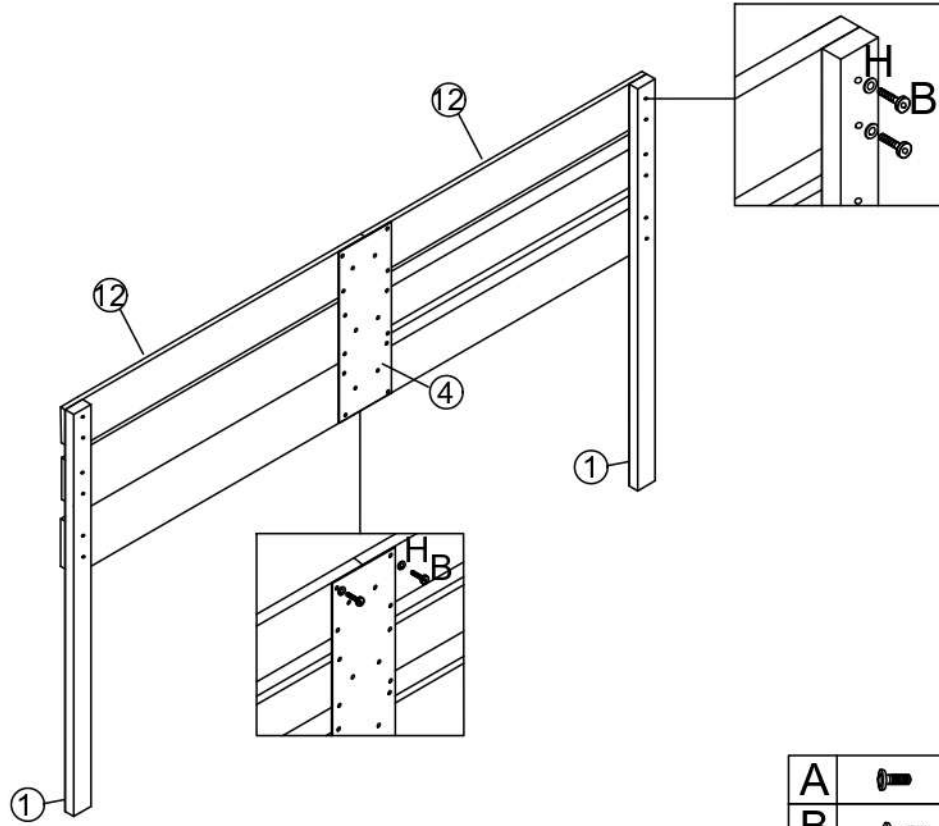
# ANEYA MB-1942






A		M6X12	x18
B		M6X20	x12
C		M6X35	x16
D		M8X20	x8
E		M6X65	x4
F		M8X45	x4
G		M6	x4
H		M6X18	x34
J		S4	x2
L		S5	x1

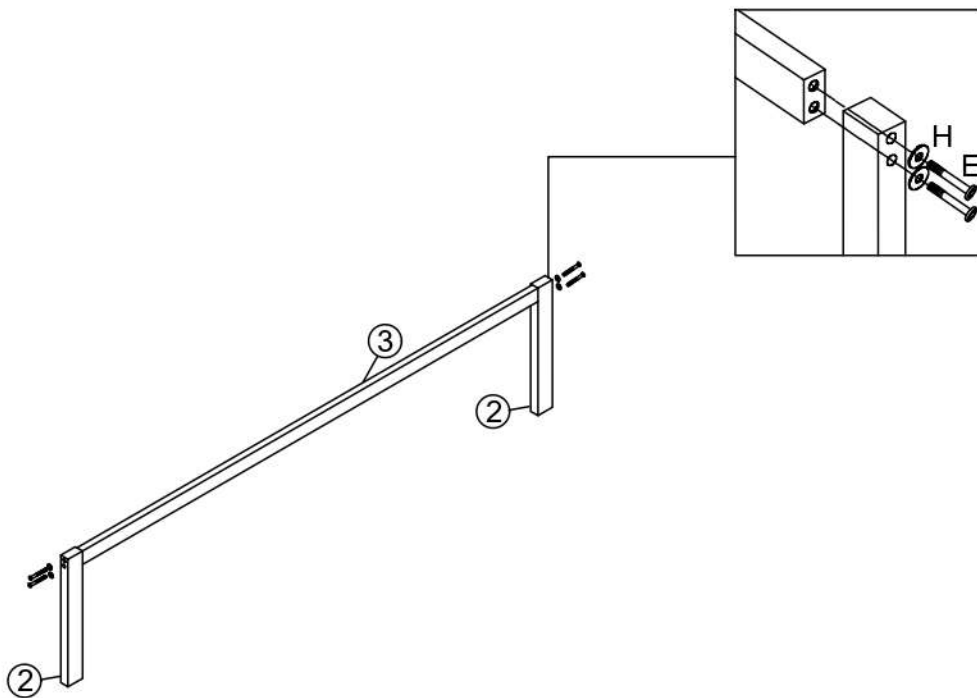
1		x2
2		x2
3		x1
4		x1
5		x4
6		x1
7		x4
8		x12
9		x2
10		x2
11		x4
12		x6

1.



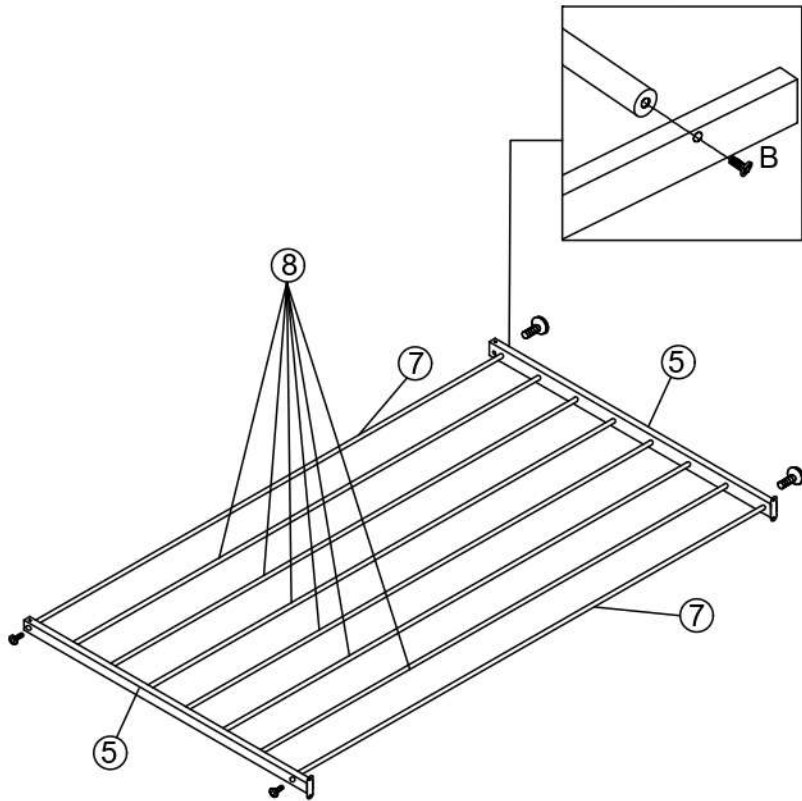
A		M6X12	x18
B		M6X35	x12
H			x30

2.



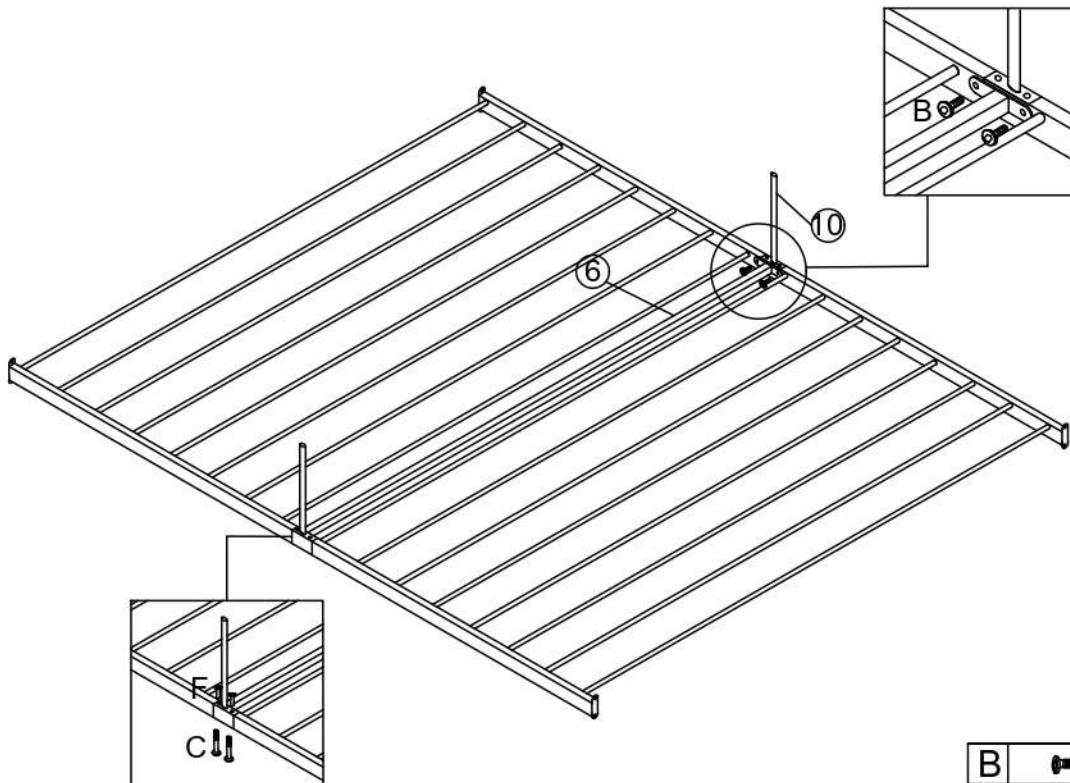
E		M6X65	x4
H			x4




3.



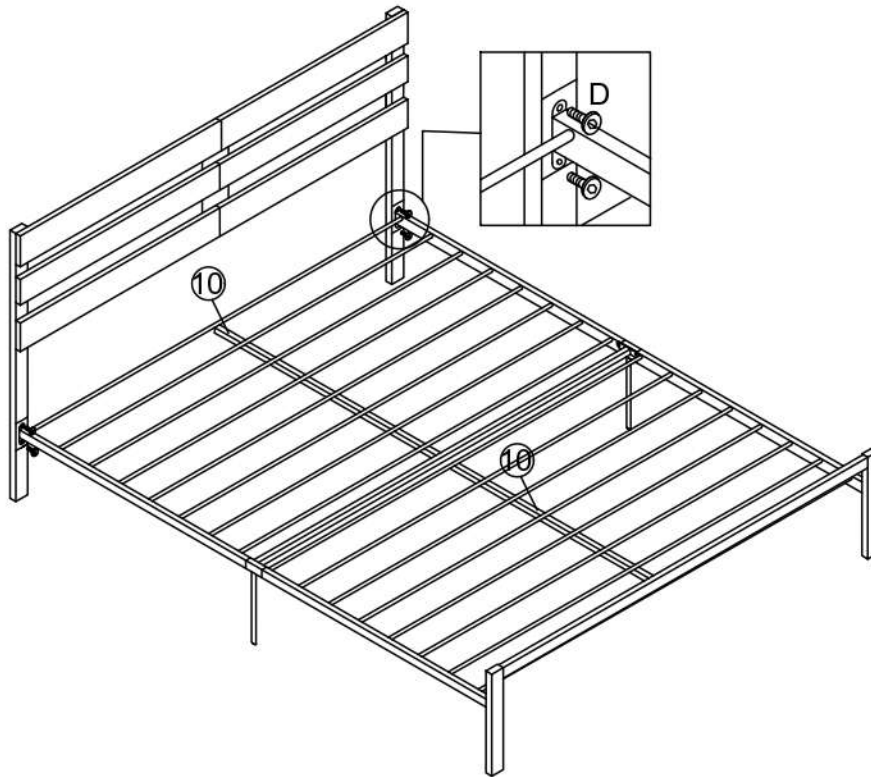
B		M6X20	x8
---	---	-------	----

4.



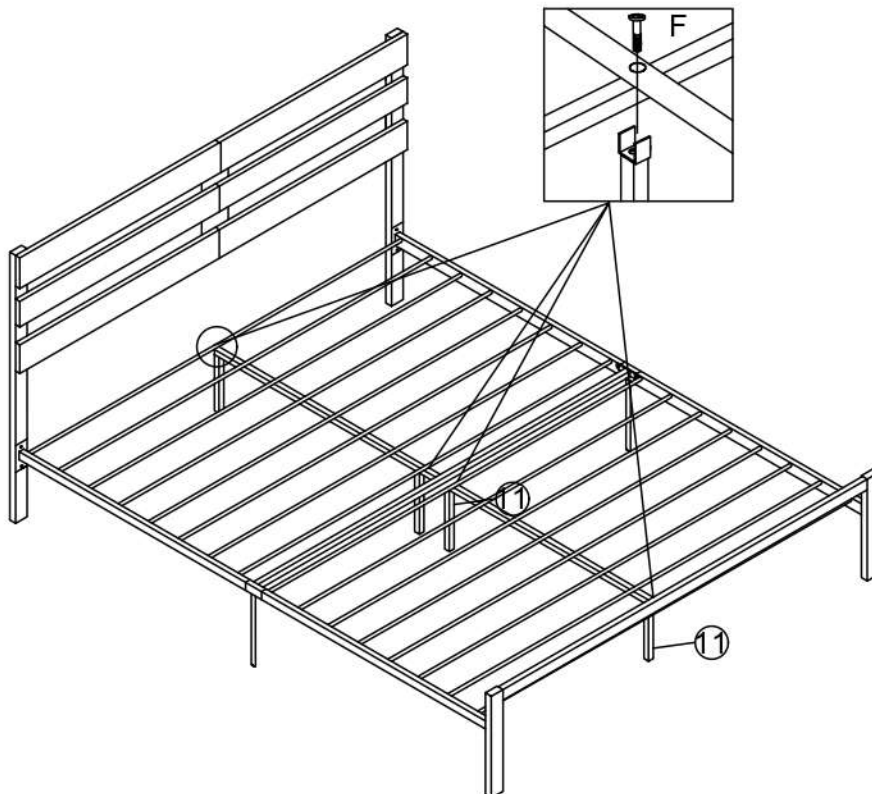
B		M6X20	x4
C		M6X35	x4
F			x4

5.



D		M8X20	x8
---	---	-------	----

6.



F		M8X45	x4
---	---	-------	----